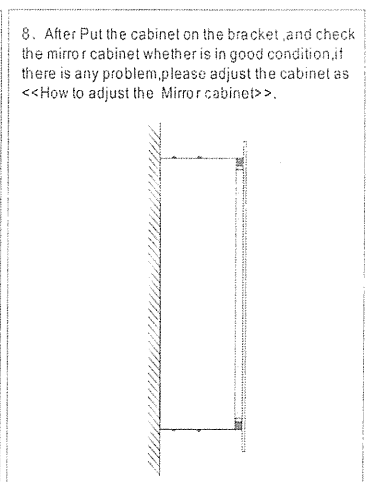
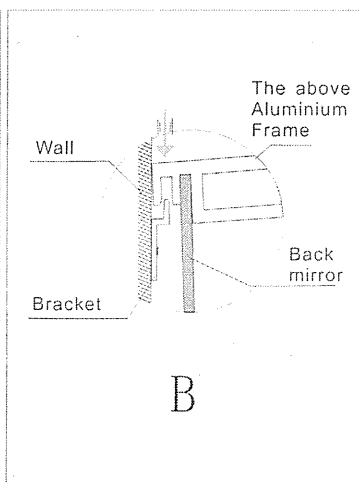
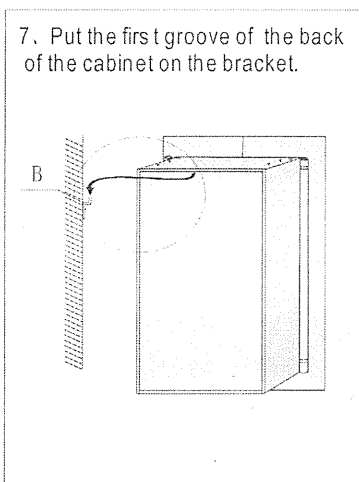
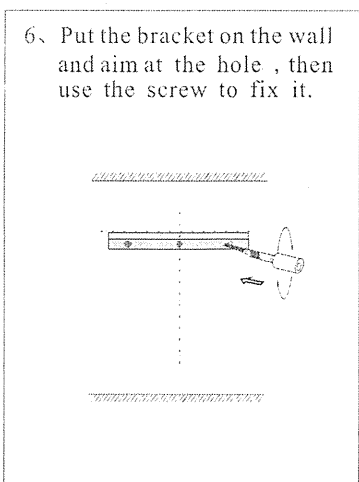
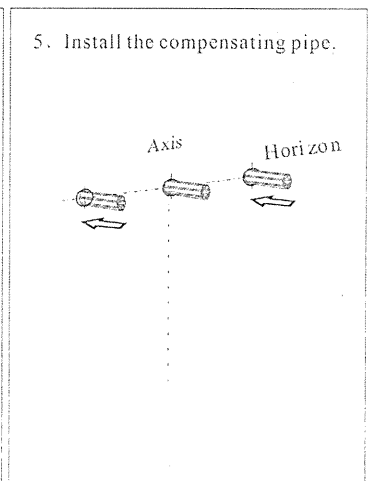
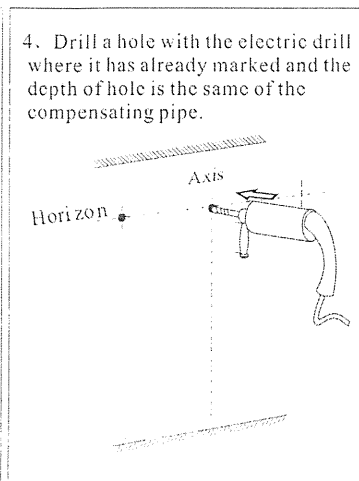
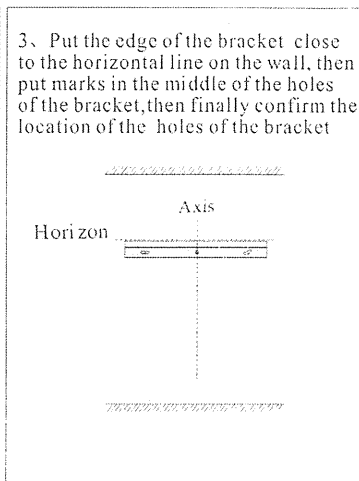
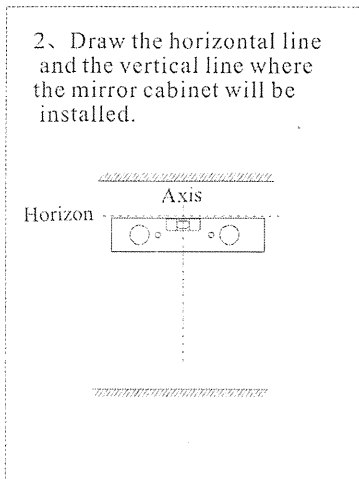
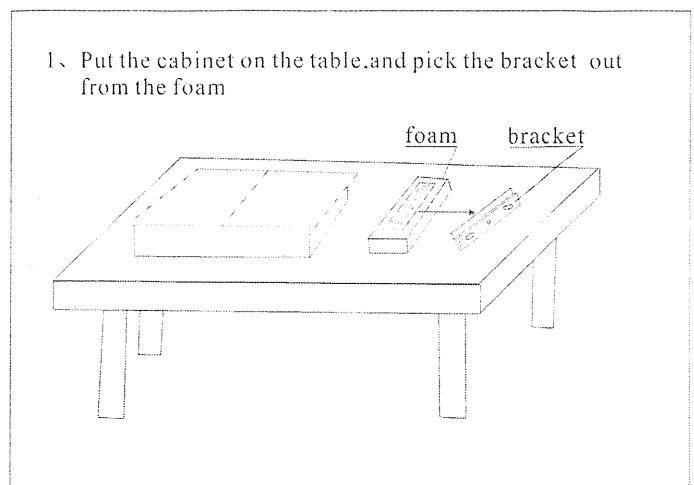
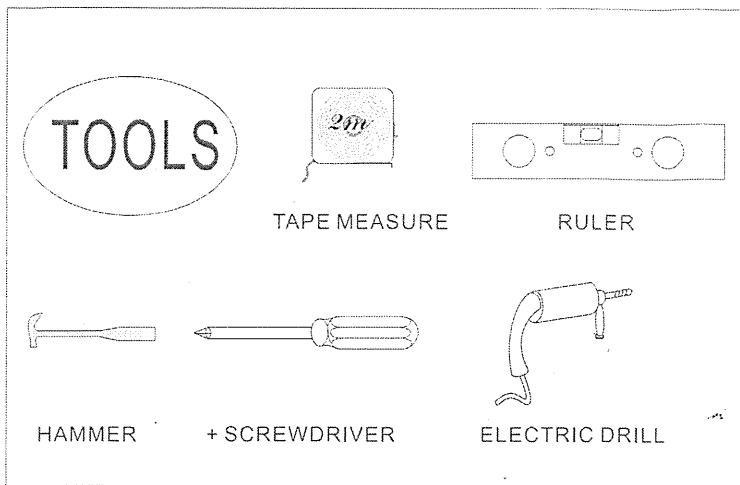


# INSTRUCTION FOR INSTALLING



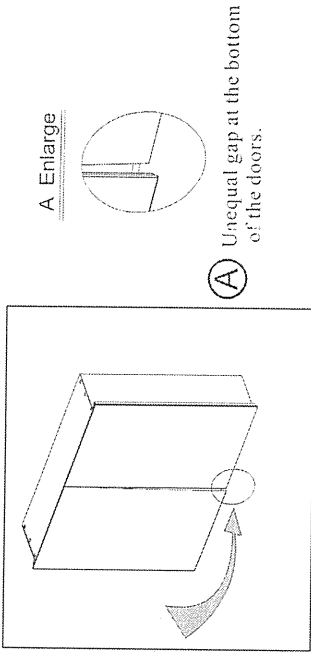
## Maintenance Instruction:

1. When use the mirror cabinet, please don't put the chemicals which including acid, alkaline and other corrosive chemicals on the frame of the cabinet so that could avoid to affect the surface of the cabinet.
2. Please don't put some volative gas in the mirror cabinet.
3. Please don't put the wet towel or bath towel in the cabinet, especially don't touch the frame of the cabinet so that could be avoid of oxidation.
4. When use the cabinet for a long time, after the mirror of the door is not clear, we could use the Mixture of 70% C<sub>2</sub>H<sub>5</sub>OH and 30% water to clear the mirror.
5. The side of the mirror is dealt specially, please use soft cloth to clear it, and keep the side of the mirror dry, please don't use acid chemicals to clear it.

Dear Customer / Installer

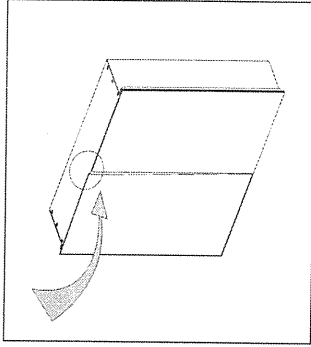
Your mirrored cabinet should reach you in perfect condition. The doors are adjusted in the factory. If the doors have become misaligned during transportation please follow the instructions below for adjustment.

## How to adjust the door of Mirror Cabinet



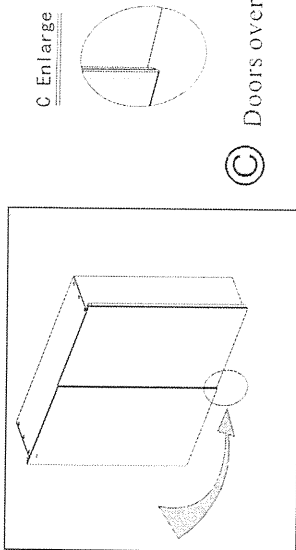
A Enlarge

Ⓐ Unequal gap at the bottom of the doors.



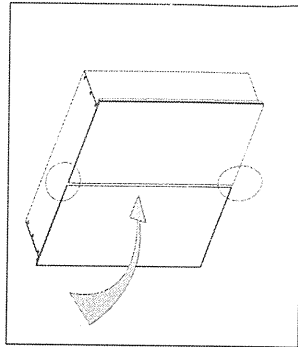
B Enlarge

Ⓑ Unequal gap at the top of the doors



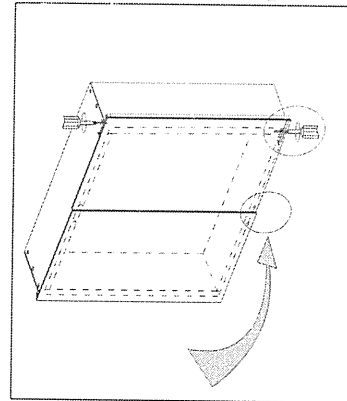
C Enlarge

Ⓒ Doors overlap



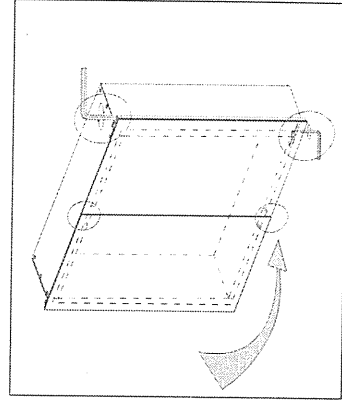
D Enlarge

Ⓓ Large gap at the top and bottom of the doors



E Enlarge

Ⓔ Adjust the Gap between the two doors, tighten the screws when the required position is obtained



F Enlarge

Ⓕ Use the hex key to adjust the hinge screw when the two doors appear at different heights.

There are two adjustments available. One aligns the door, the other to adjust the hinge resistance. Door alignment requires a screwdriver, hinge adjustment requires a hex key. Figure A,B,C,D illustrates the four types of adjustment that may be required. Loosening the door alignment adjustment screw enables the bottom, top, or both hinges to move left to right or right to left. When the required position is obtained re-tighten the hinge screws.

If the doors appear stiff or loose when opening or should they make a noise you can adjust the tension applied to the hinge pins by loosening or tightening the hex key screws as illustrated in pictures F. These screws are also used to align the height of the two doors. Eg the left door is higher than the right door.