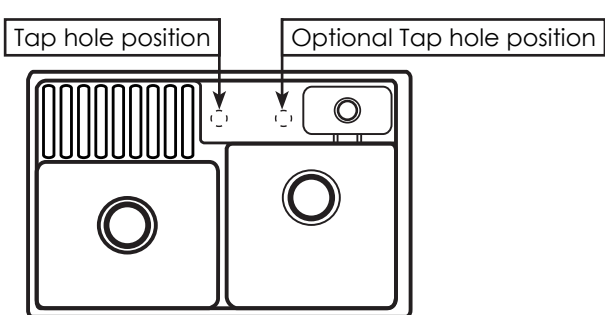


BUTLER DOUBLE SINK ORDER FORM

Retailer Details		Date: _____	Order Number: _____
Retailer: _____	Store Contact Person: _____	Telephone Number: _____	
Address: _____		Fax Number: _____	
Town/Suburb _____			
Post Code: <input type="text"/> <input type="text"/> <input type="text"/> <input type="text"/>	Retailer signature for agreement*: _____ <small>*Retailer must sign completed form</small>		
Customer Name: _____	Customer signature for agreement*: _____ <small>*Customer must sign completed form</small>		

Step 1: Select Sink Model

Butler Double Sink Sink <input checked="" type="checkbox"/>	Size: 895 x 630 x 220mm <input checked="" type="checkbox"/>
---	---

1 Tap Hole / Optional 2nd Tap Hole		
Product Code:	632391R1TB White <input type="checkbox"/> 632391RWTB Stone White <input type="checkbox"/> 632391R7TB Pure Black <input type="checkbox"/>	
Specify Hole Position(s) / Size(s)		
Tap Hole	Standard Hole size 35Ømm <input type="checkbox"/> Alternative hole size* _____Ømm <input type="checkbox"/>	
Optional Tap Hole	Additional hole size* _____Ømm <input type="checkbox"/> For eg. Water Filter / Boiling Water Tap	

***All non-standard hole-size orders are irrevocable.**

★ For unique 2-hole tapware installation contact Customer Central for additional requirements ★

Step 2: Other Details/ Instructions

Installation note:

Invoice Number:	Date Entered:	Date Required:	Entered by:
-----------------	---------------	----------------	-------------