
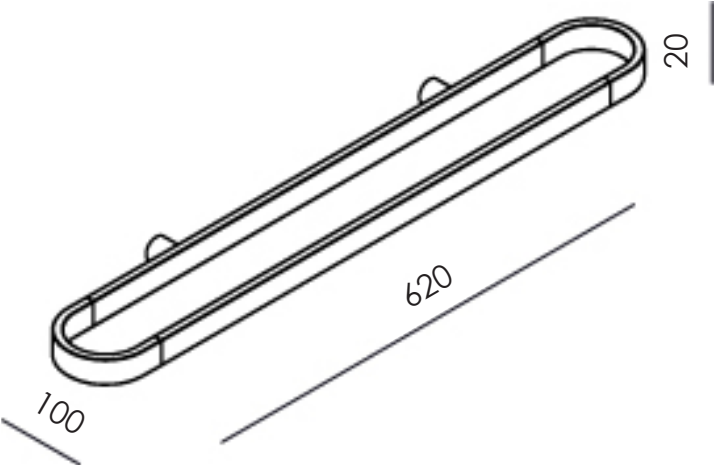




# EVOKE 600 MULTIFUNCTION RAIL

| Product Image  | Technical Specification   |
|--|---|
|  |  |

| Description   | Additional Information  |
|---|---|
| <p>EVOKE 600 MULTIFUNCTION RAIL</p> <p><b>AR25005</b></p> | <ul style="list-style-type: none"> <li>• Chrome Plated</li> <li>• 600mm</li> <li>• Can be used to accommodate towels, hand towels, Evoke modular glass tumbler, soap dish or liquid soap dispenser</li> </ul> |

