



Grace Neu 525 Oval vessel Basin

No Tap Hole | No Overflow

Product Image



Product Details

Code:	V1052
Brand:	Argent
Range:	Grace
Warranty:	10 Years*
Product Width:	525 mm
Product Depth:	135 mm
WELS:	N/A

Additional Features

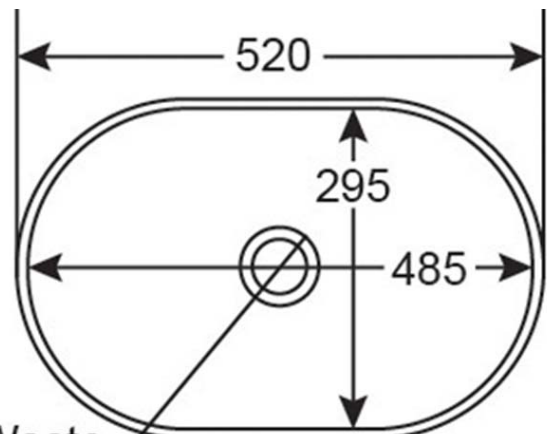
Required Product
32mm Waste

Recommended Products
K316-D PUW series for matching tapware, K316-DWCV for matching ceramic

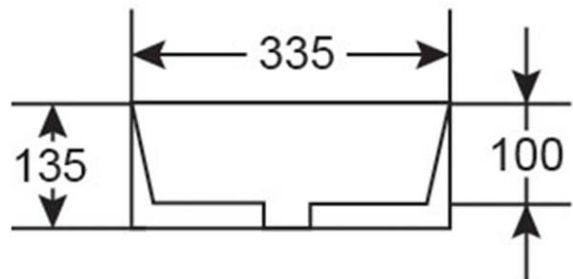
Additional Notes
• White Finish

Installation Instructions
* Counter Top Installation

Technical Specification



Suits 32mm Waste



*Please visit argentaust.com.au/warranty to view the full warranty

Note: All dimensions are in millimetres and are subject to normal manufacturing variations. It is recommended to use the physical product measurements for cut-outs and rough-ins as the technical details shown may differ from the actual product. Use acetic cured silicone sealant. Do not use epoxy type adhesives. Clean with damp cloth. Do not use abrasive cleaners, liquids or pastes.

