



Pace 460 Under Counter Basin

Gloss White | Overflow | No Tap Hole

Product Image



Product Details

Code:	U6046
Brand:	Argent
Range:	Pace
Warranty:	10 Years*
Product Width:	465 mm
Product Depth:	330 mm
WELS:	N/A

Additional Features

Required Product

Matching 32mm waste with overflow

Recommended Products

K316 PUW series

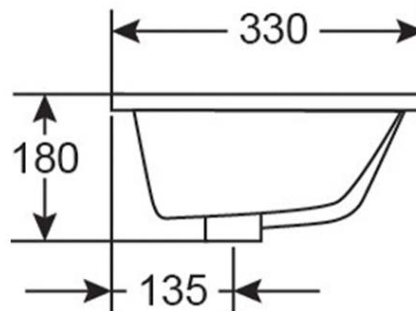
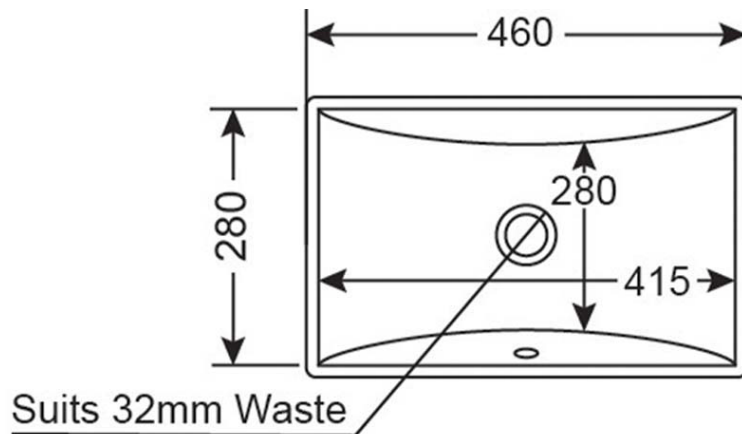
Additional Notes

- Water Capacity to bottom of overflow 8.7lt
- Overflow Capacity exceeds 15lpm

Installation Instructions

- * Standard Ceramic dimensional tolerances apply +/- 2%
- * Responsibility is with cabinet designer/manufacturer to ensure adequate tolerances
- * Basin cutout in benchtop should be 8-10mm smaller all round than the actual basin ID
- * Use of epoxy will void warranty

Technical Specification



*Please visit argentaust.com.au/warranty to view the full warranty

Note: All dimensions are in millimetres and are subject to normal manufacturing variations. It is recommended to use the physical product measurements for cut-outs and rough-ins as the technical details shown may differ from the actual product. Use acetic cured silicone sealant. Do not use epoxy type adhesives. Clean with damp cloth. Do not use abrasive cleaners, liquids or pastes.

