



# Pace 460 Under Counter Basin

Matte White | Overflow | No Tap Hole

## Product Image



## Product Details

<b>Code:</b>	<b>U6046MW</b>
Brand:	Argent
Range:	Pace
Warranty:	10 Years*
Product Width:	N/A
Product Depth:	N/A
WELS:	N/A

## Additional Features

### Required Product

32mm waste

### Recommended Products

K316-D series

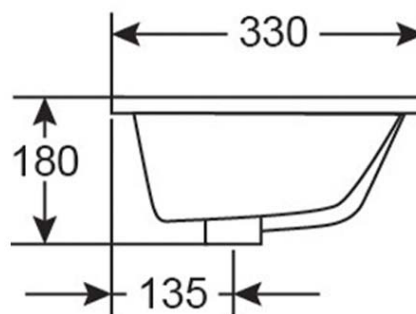
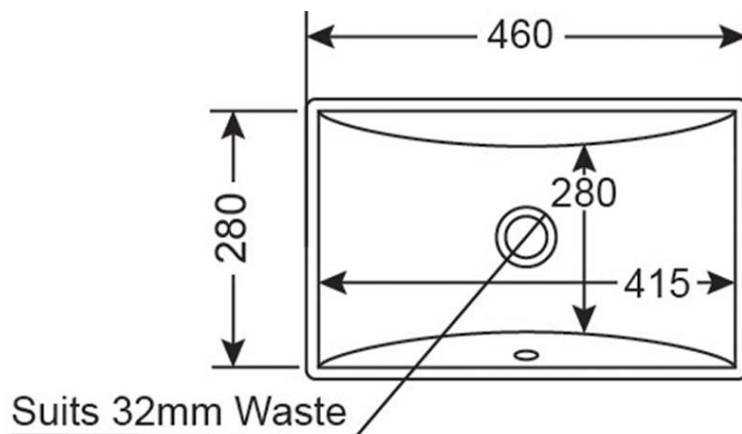
### Additional Notes

- Water Capacity to bottom of overflow 8.7lt
- Overflow Capacity exceeds 15lpm

### Installation Instructions

- \* Standard Ceramic dimensional tolerances apply +/- 2%
- \* Responsibility is with cabinet designer/manufacturer to ensure adequate tolerances
- \* Basin cutout in benchtop should be 8-10mm smaller all round than the actual basin ID
- \* Use of epoxy will void warranty

## Technical Specification



\*Please visit [argentaust.com.au/warranty](http://argentaust.com.au/warranty) to view the full warranty

*Note: All dimensions are in millimetres and are subject to normal manufacturing variations. It is recommended to use the physical product measurements for cut-outs and rough-ins as the technical details shown may differ from the actual product. Use acetic cured silicone sealant. Do not use epoxy type adhesives. Clean with damp cloth. Do not use abrasive cleaners, liquids or pastes.*

