



Alto 1080 1 & 3/4 Sink

RH Drainer | 1TH

Product Image



Product Details

Code:	KS910822R
Brand:	Argent
Range:	Alto
Warranty:	Lifetime*
Product Width:	480 mm
Product Height:	1080 mm
Product Depth:	150 mm
Litre Capacity:	31 L

Additional Features

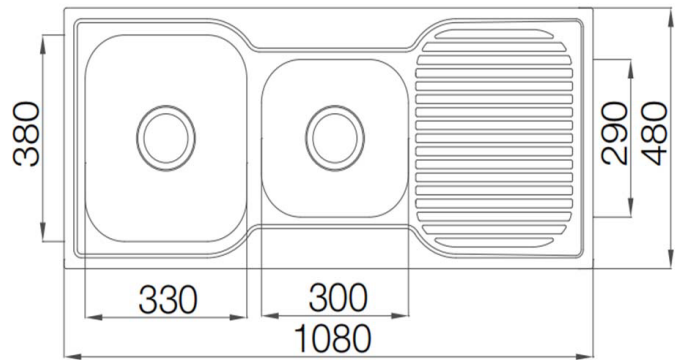
Technical Specification

Required Product

Recommended Products

Additional Notes

- Rolled Edge
- Topmount
- AS1428 compliant when installed with correct tapware
- Insulation pad preinstalled on bottom of the sink



*Please visit argentaust.com.au/warranty to view the full warranty

Note: All dimensions are in millimetres and are subject to normal manufacturing variations. Always use the physical product measurements for cut-outs and rough-ins as the technical details shown may differ from the actual product. Use acetic cured silicone sealant. Do not use epoxy type adhesives. Clean with damp cloth. Do not use abrasive cleaners, liquids or pastes.

