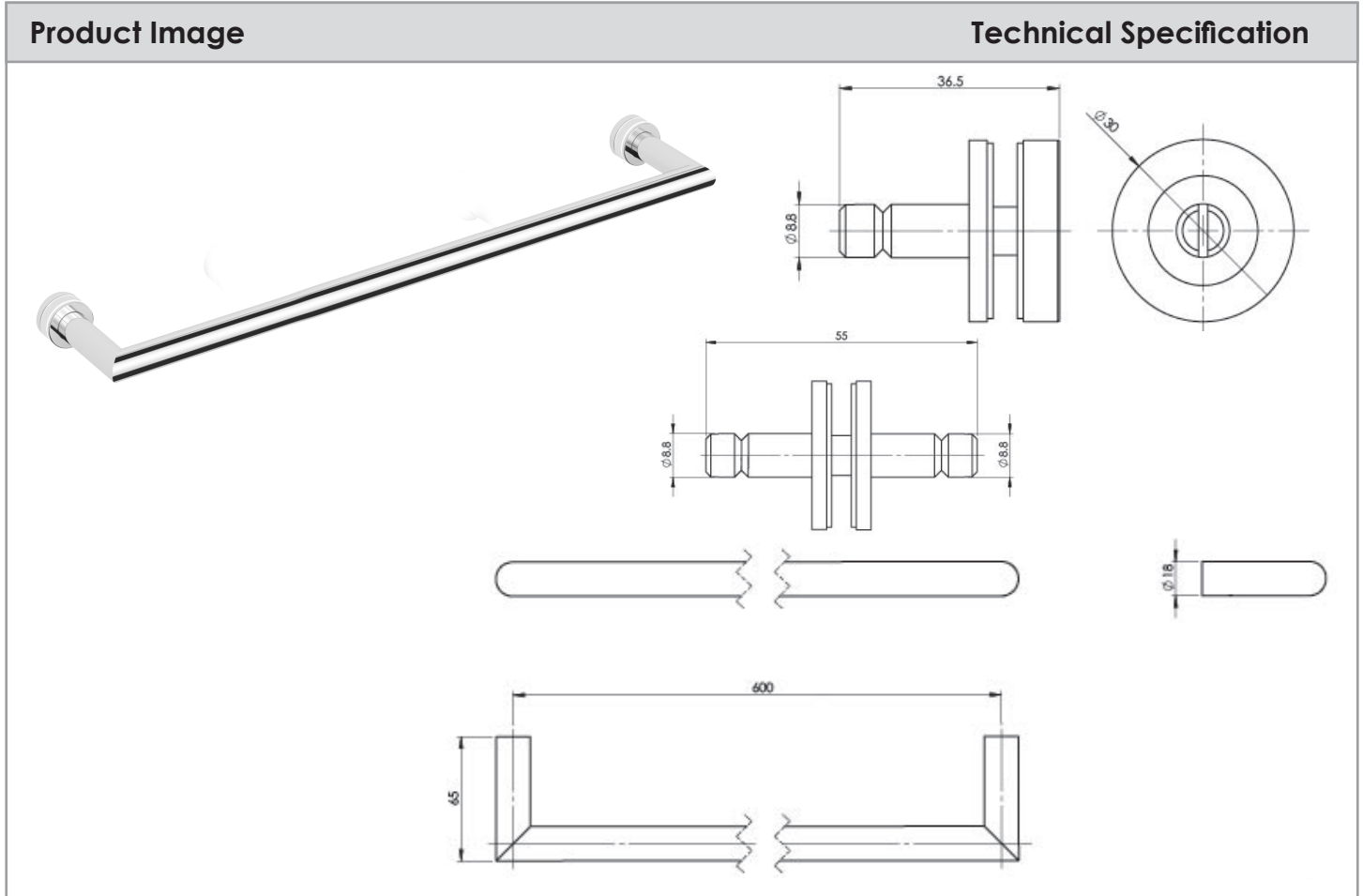




# FOCAL 600 GLASS PANEL TOWEL RAIL



Description	
Focal 600 Glass Panel Towel Rail	
<b>AG30600B</b>	
<b>Includes</b>	
1x AG70159-600	Towel Rail Component
2x AG3000F	Cover Plate + Connector

Additional Information
<ul style="list-style-type: none"> <li>• Chrome Plated</li> <li>• For mounting onto 6-10mm glass or acrylic panels</li> <li>• 10 mm Ø holes required.</li> </ul>

