

BETTE

Loft Ornament 1810 Silhouette Freestanding Bath

Overflow | Bath Filler

Product Image



Product Details

SKU:	B3172FFXB
Brand:	Bette
Range:	Loft
Warranty:	30 Years
Product Length:	1810 mm
Product Width:	810 mm
Product Height:	620 mm
Litre Capacity:	

Additional Features

Technical Specification

Required Product

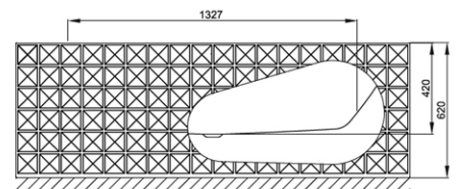
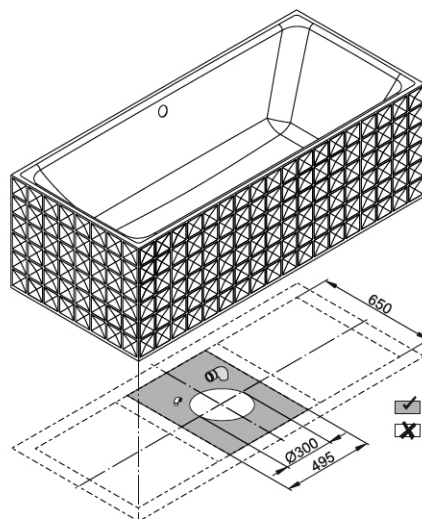
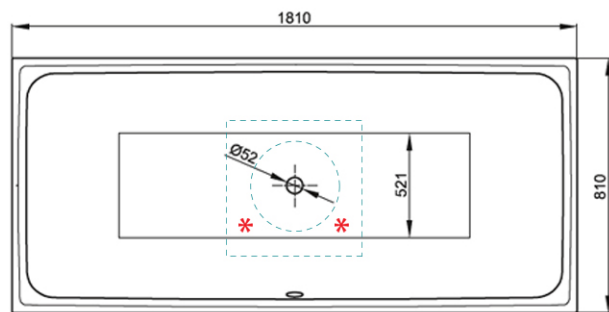
Recommended Products

Additional Notes

* Chrome Overflow Waste & Bath Filler

Installation Instructions

* Floor needs to be recessed 50mm to accommodate waste connections



- Installation Notes:**
- Rough-in waste position must be on 300mm radius line.
 - Block-out/recess floor for waste 500x500x50mm deep.
 - Water Supply Rough-In Location Options for Bath Filler

Note: All dimensions are in millimetres and are subject to normal manufacturing variations. Always use the physical product measurements for cut-outs and rough-ins as the technical details shown may differ from the actual product. Use acetic cured silicone sealant. Do not use epoxy type adhesives. Clean with damp cloth. Do not use abrasive cleaners, liquids or pastes.