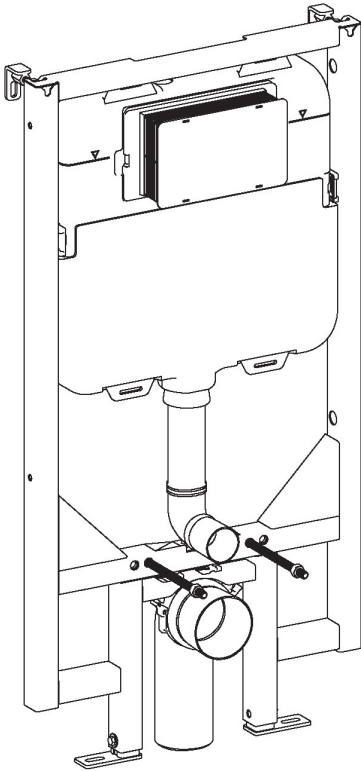


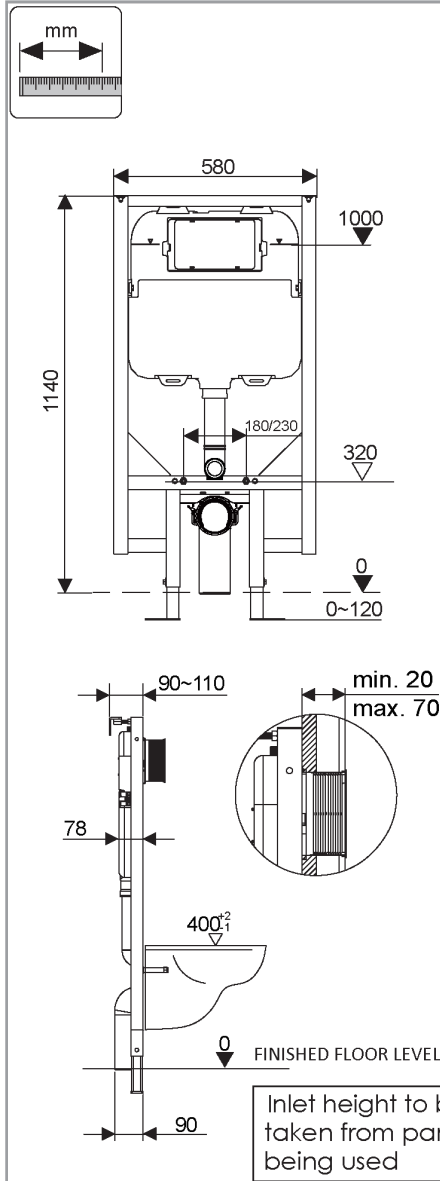
ARGENT 80 IN WALL CISTERN & FRAME - MECHANICAL

IN48905



WMKA 26104
AS/NZS 1172.2

WELS 4 Star / 3.5Lpm
WELS REG No. L05257



IMPORTANT INSTALLATION NOTE:

Inlet valve water pressure and pipe sizing must comply with AS3500 & Manufacturers Specification.

Maximum 500kpa static.
Minimum 100kpa dynamic.
Not suitable for low pressure systems.

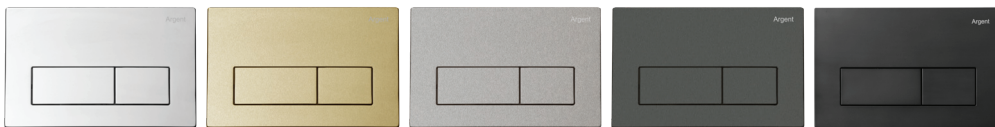
1. Inspect all parts prior to installation for suitability and/or defect.
2. Any suspected defect should be reported as soon as possible.
3. Should any product be installed despite a fault having been found and reported, liability will not be accepted for the cost of labour to remove and install any replacement products.



Flush Plate Selection

RECOMMENDED FLUSH PLATES:

Kubic



Edge

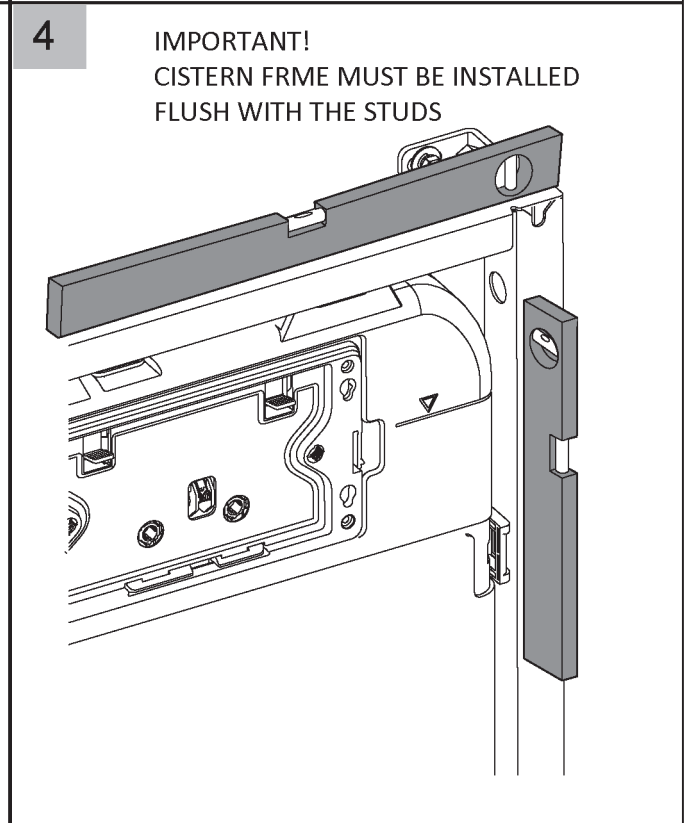
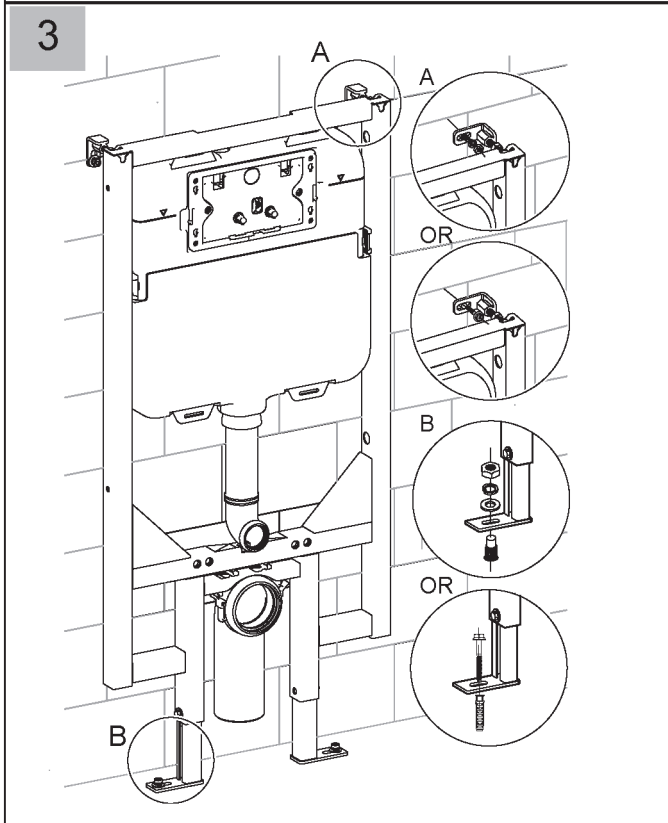
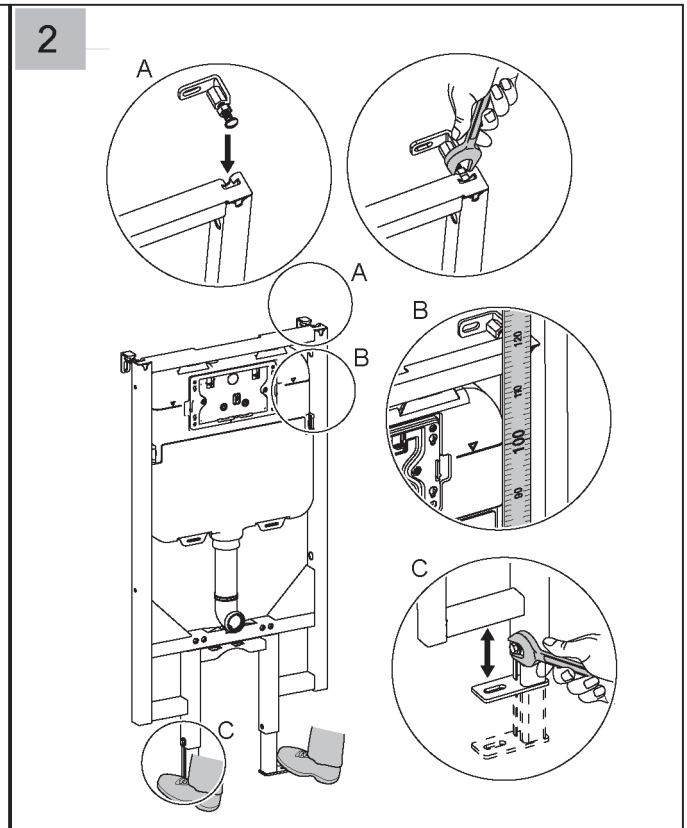
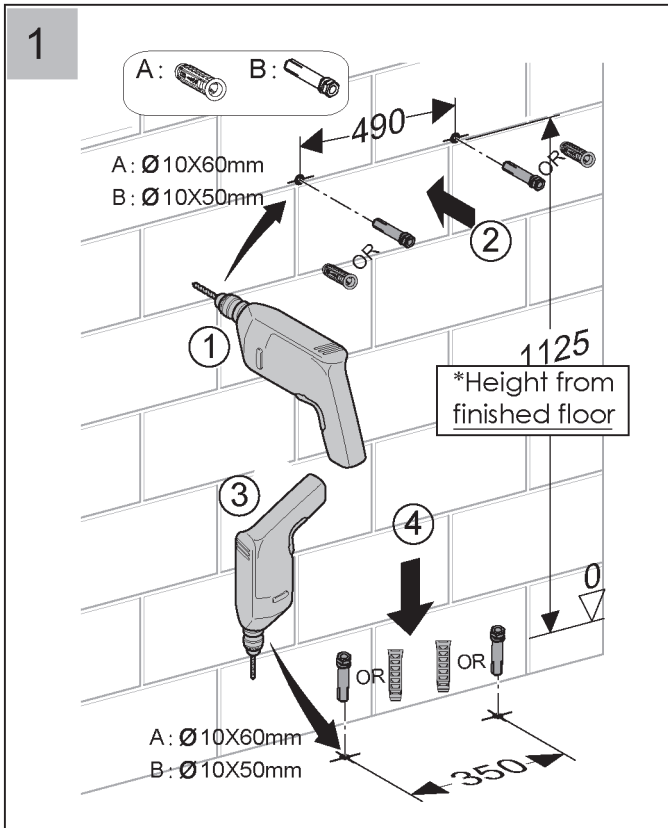


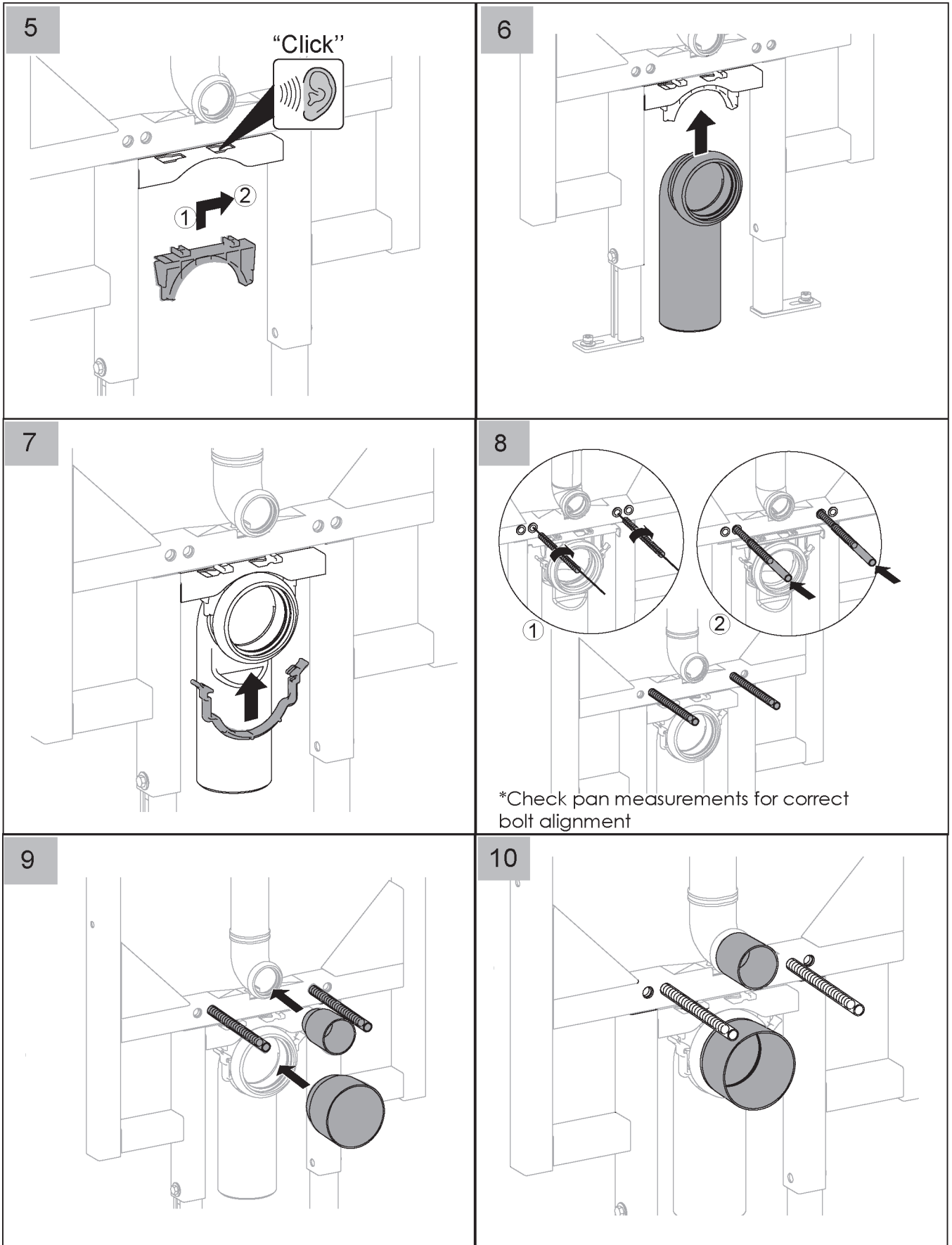
Grace Round

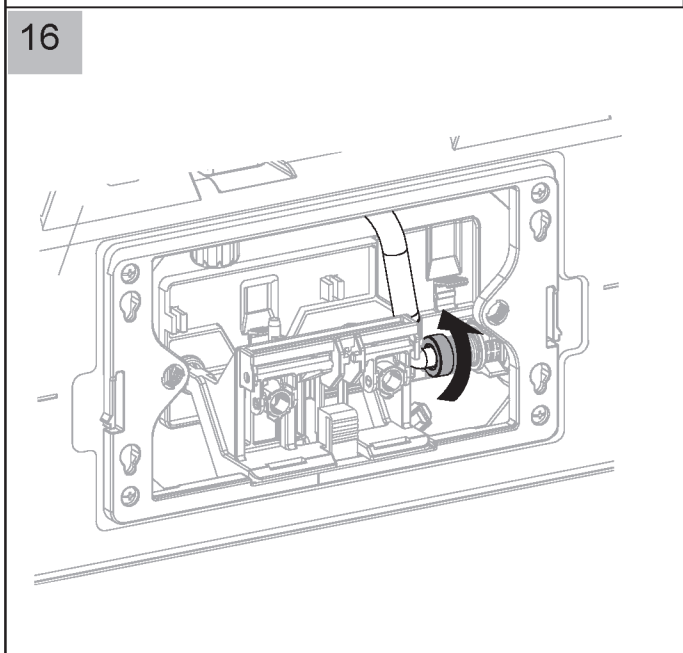
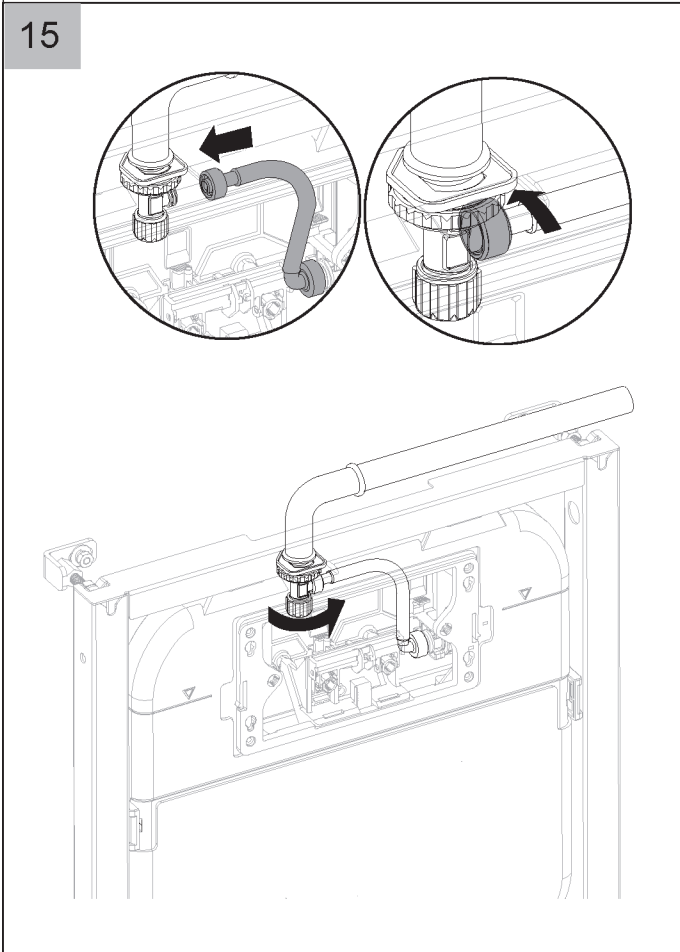
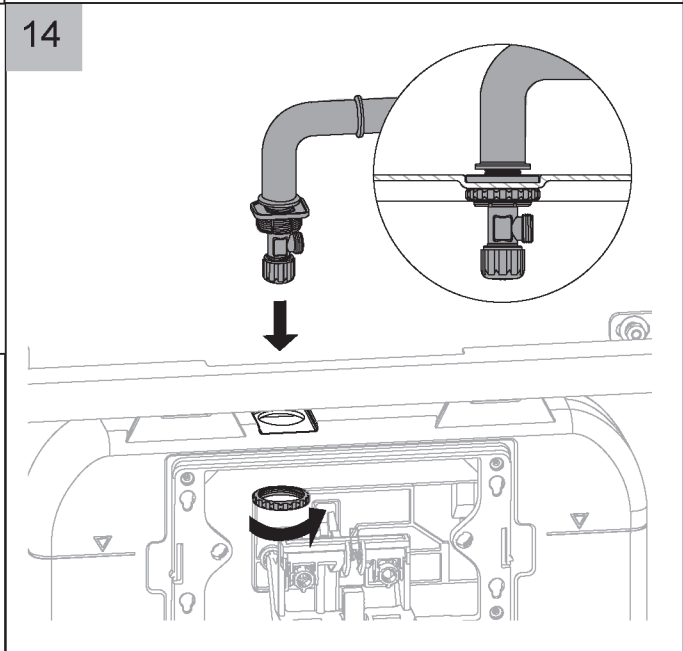
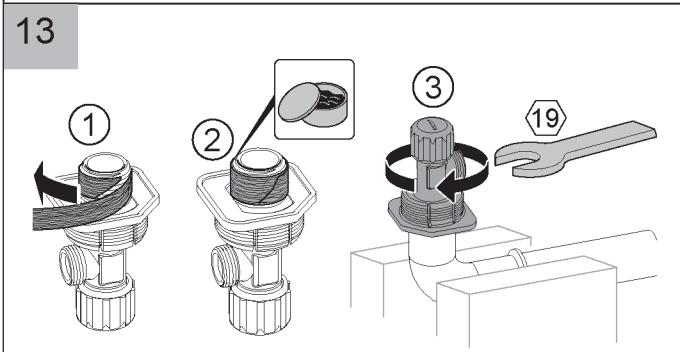
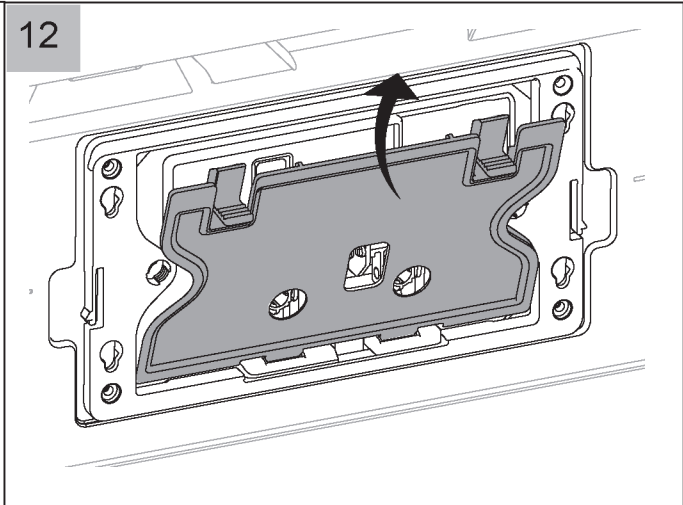
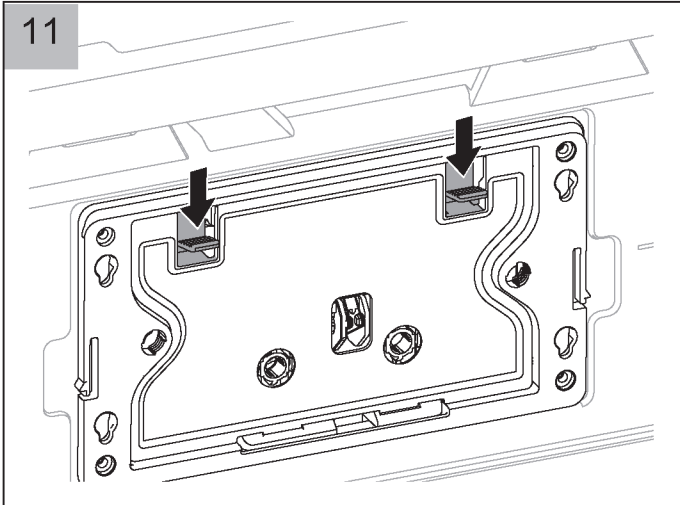


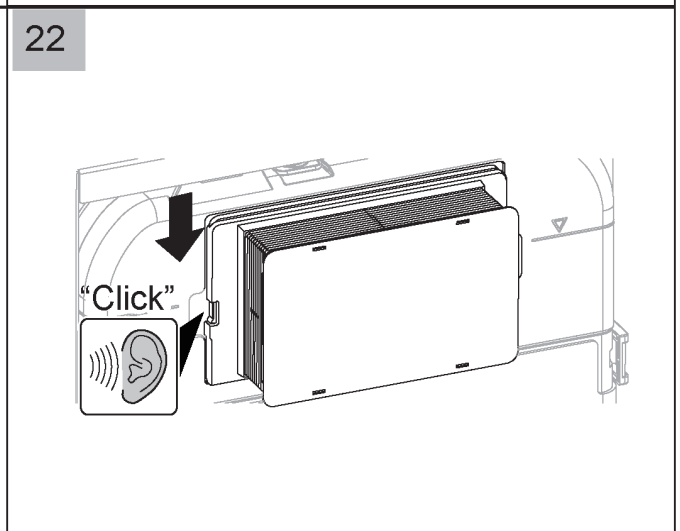
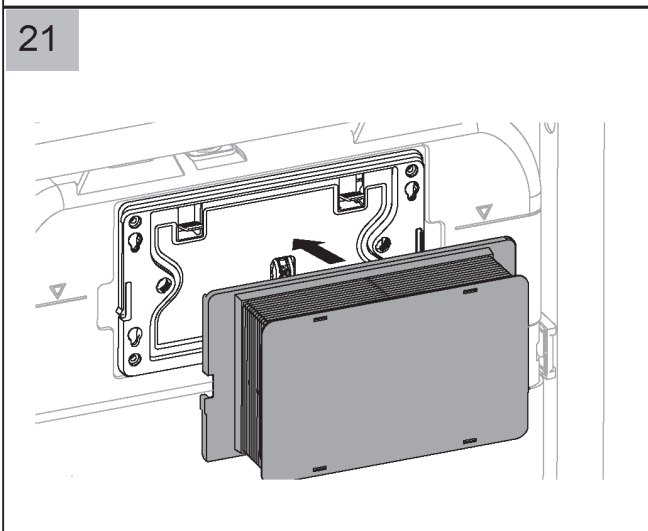
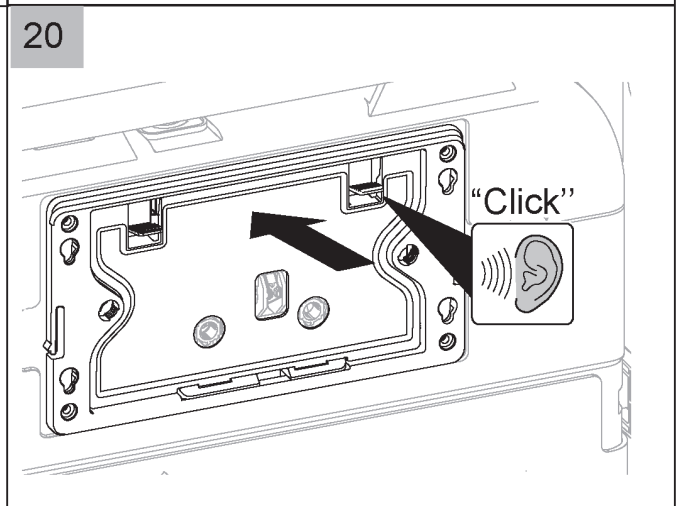
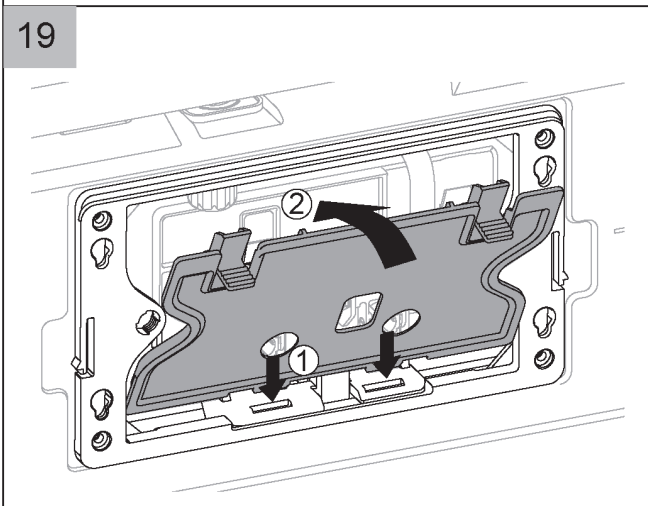
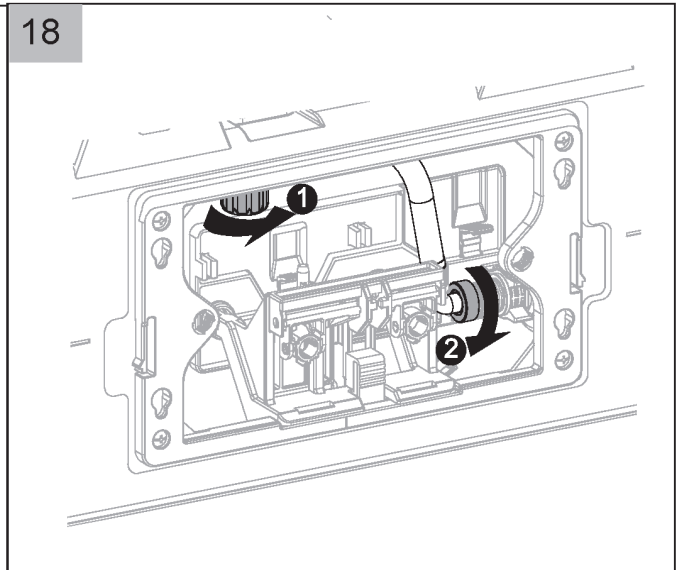
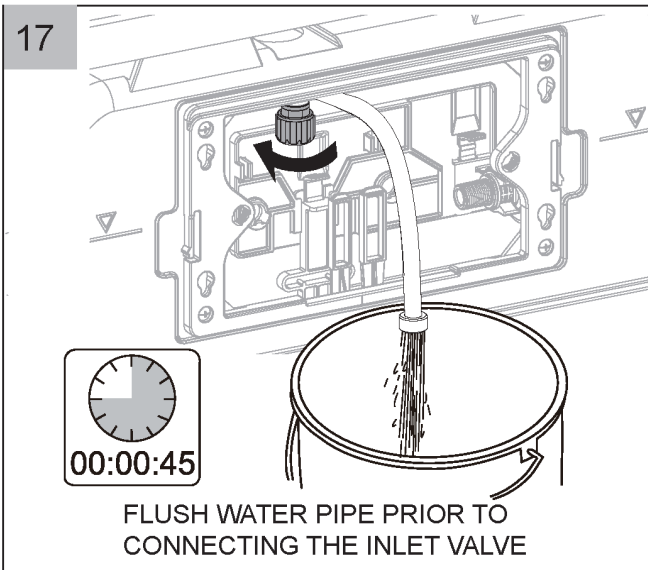
Disclaimer: Products in this specification manual must by regulation be installed by licensed and registered trade people. The manufacturer/distributor reserves the right to vary specifications or delete models from their range without prior notification. Dimensions are nominal measurements only. Dimensions and set-outs listed are correct at time of publication however the manufacturer/distributor takes no responsibility for printing errors.

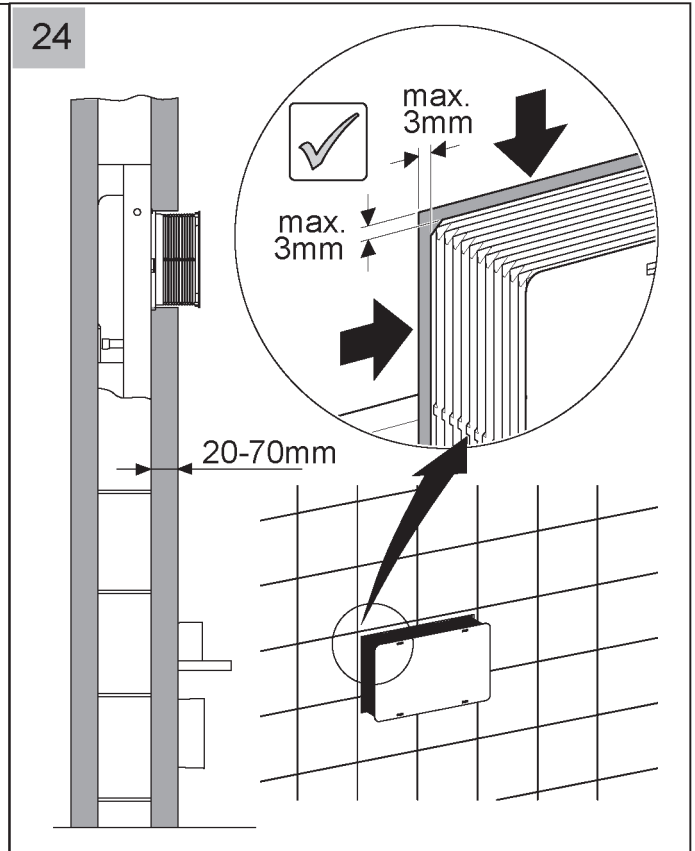
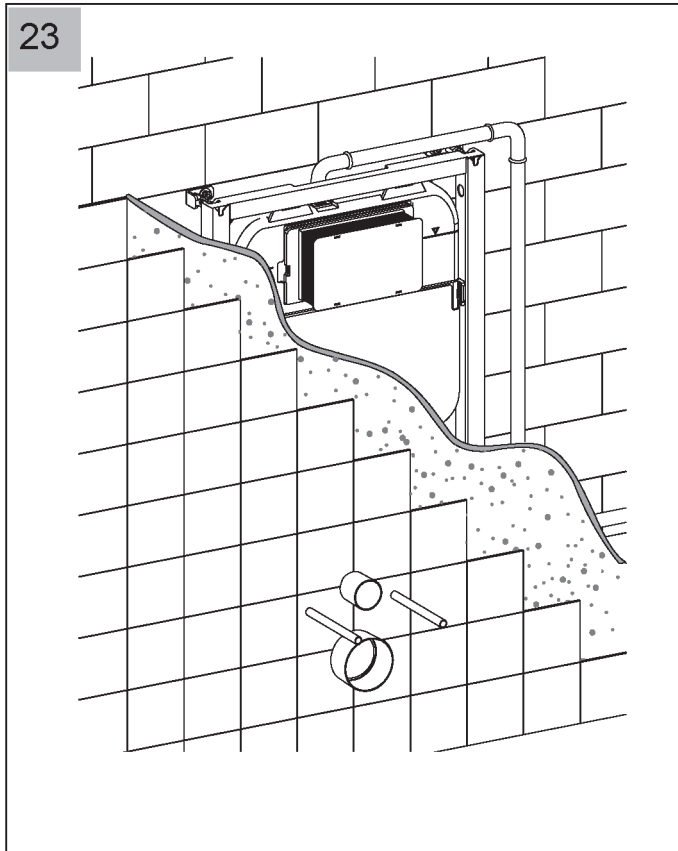
CISTERN & FRAME INSTALLATION



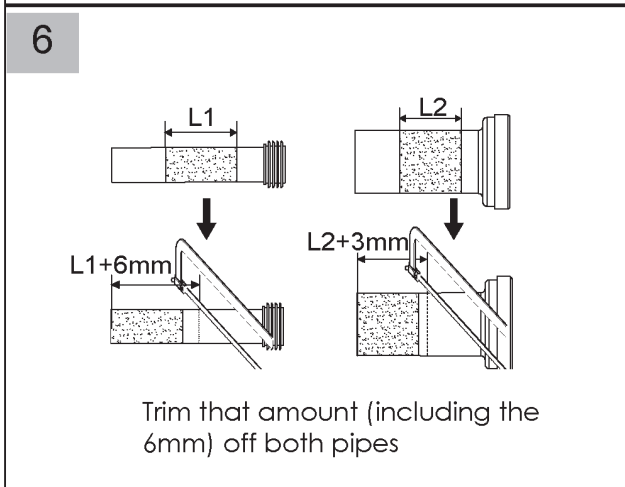
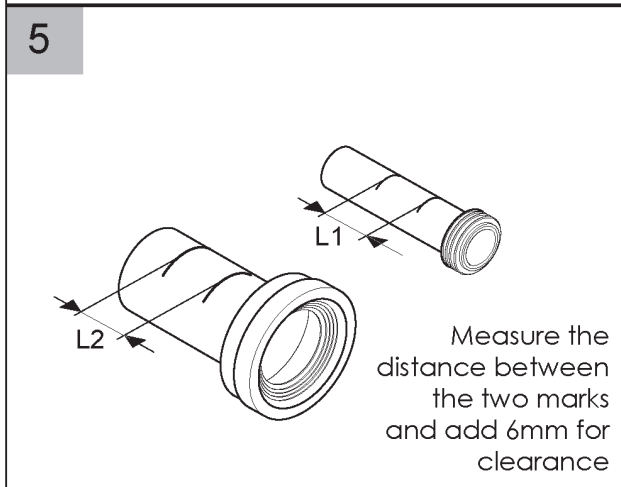
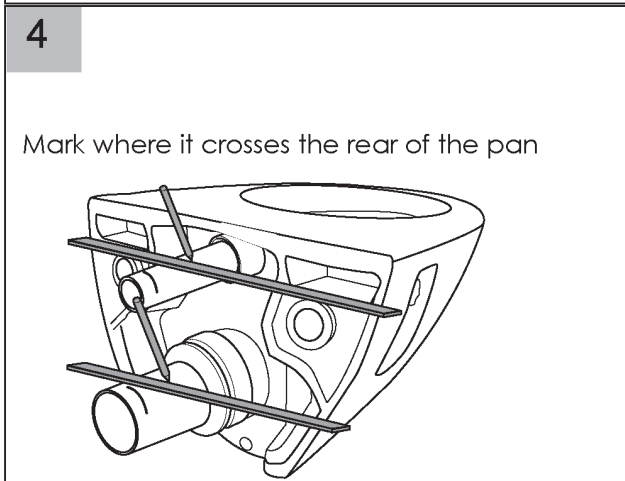
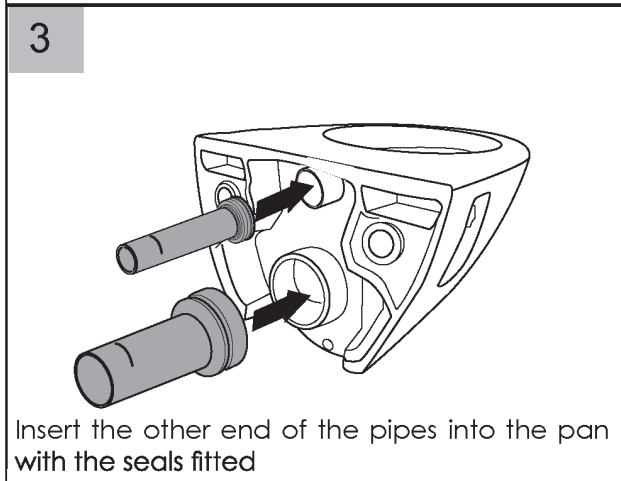
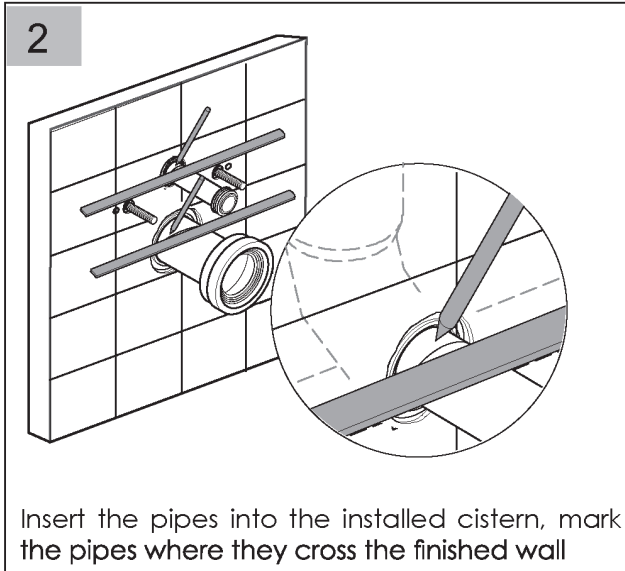
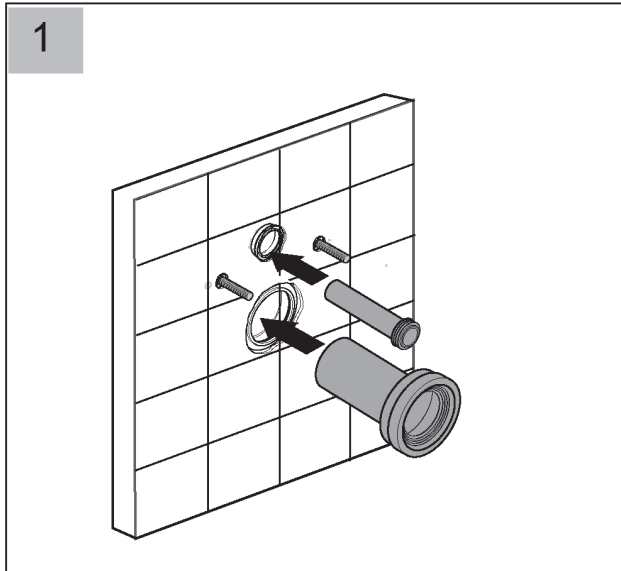


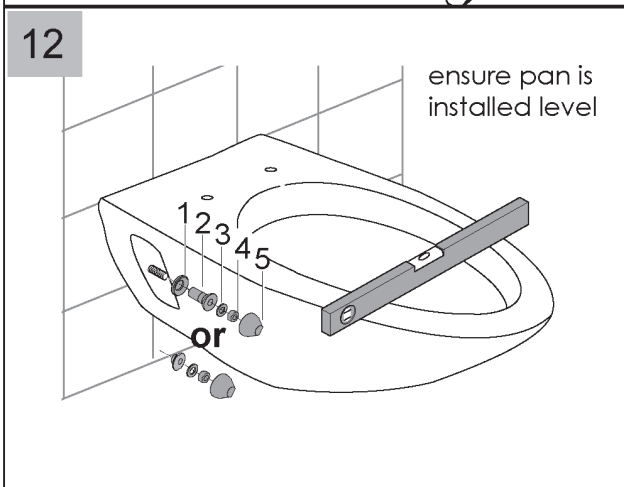
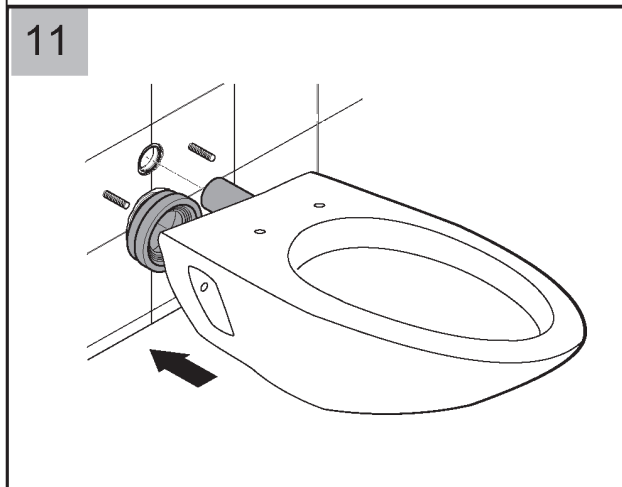
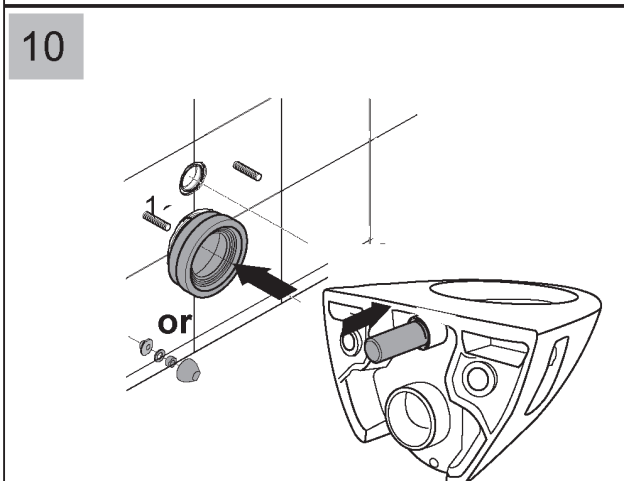
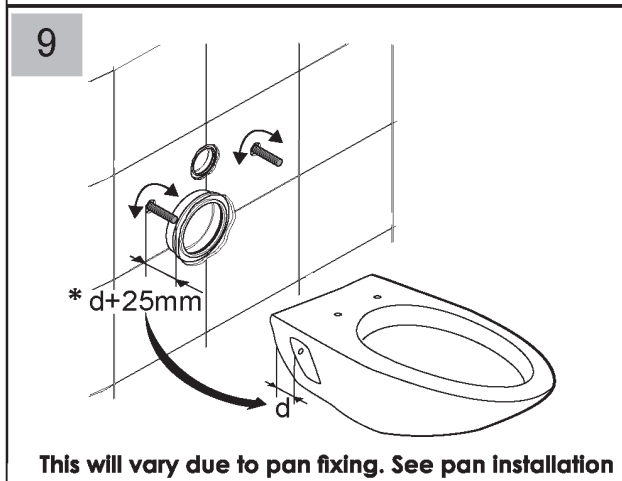
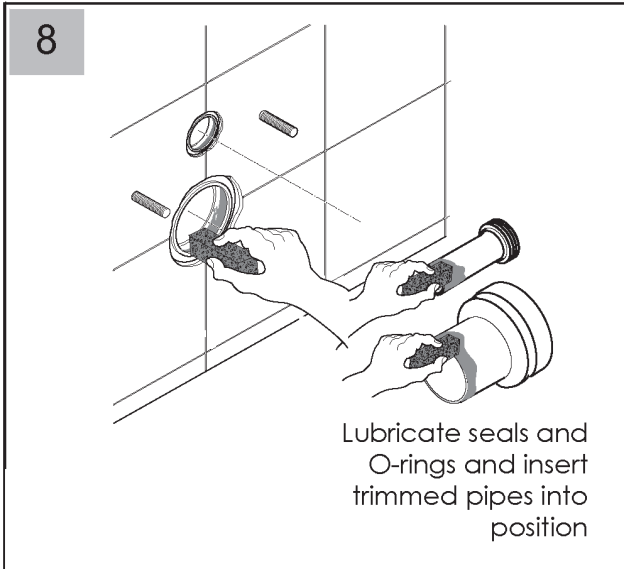
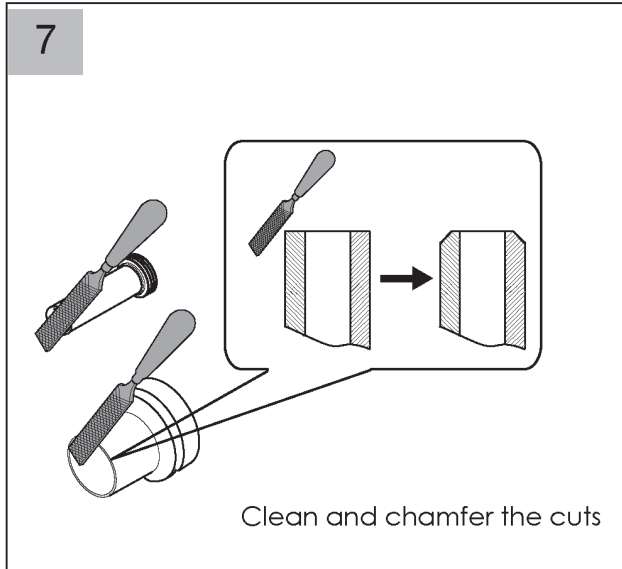






PAN INSTALLATION





TROUBLE SHOOTING GUIDE:
SAFETY NOTICE: TURN OFF WATER SUPPLY WHEN SERVICING ANY COMPONENTS

Symptom	Possible Cause	Corrective Action
No Flush	Supply stop is closed	Open the supply stop
	Flush Plate not connected	Check Flush Plate is connected
	Flex hose is blocked or kinked	Check flex hose
Water Leaking into Pan	Outlet seal issue	Check outlet valve seal and outlet valve hosing, replace if required
	Inlet valve water height too high	Check water inlet height and adjust so it is lower than overflow tube
	Inlet seal leaking	Check inlet seal and replace if damaged

CARE & CLEANING:

1. Daily care will extend your Argent products lifespan. For the daily cleaning, we recommend using a soft, non-abrasive sponge or cloth, like Microfiber cloths. (Tip: Dampen microfiber cloths before use.)
2. If you wish to use a cleaning agent, it is recommended to use a standard, general-purpose cleaning agent.
3. Do not use any aggressive cleaning agents on this product. Aggressive cleaning agents like scouring creams and powders, highly concentrated drain cleaning chemicals, special tap/metal cleaning agents or bleaching agents containing chlorine will damage the product.

SPARE PARTS:

Part #	Code	Description
5	2K1270-00-01	Gearing Bracket Complete
10	2K1161-A0-01	Tiling Template
12	K9100-G-1016	Cistern Stop
13	260107-5	Inlet Flex Hose
14	B3220-D	Inlet Valve
15	K4030-G-1002	Outlet Valve
23	3K1248-A0-F6-Y	In-Wall Flush Pipe Vertical
25	30990	O Ring Seal for Flush Pipe
27	2K723-00-01	In-Wall Flush Pipe Horizontal
28	30689-2	Key Seal

