
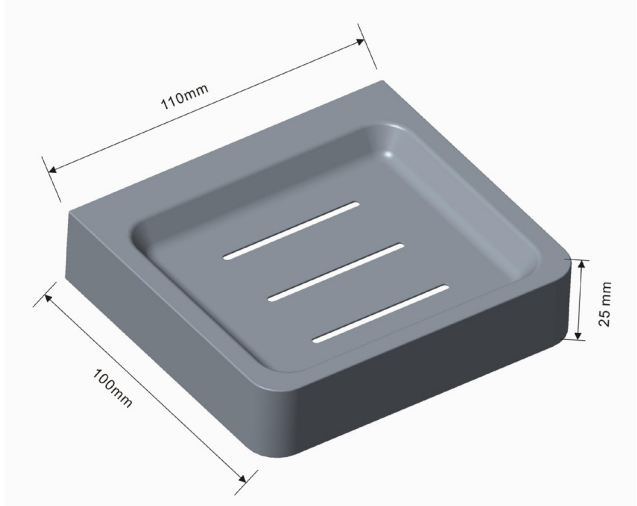




# MONDRIAN NEU SOAP DISH

Product Image	Technical Specification
	

Description
<p>Mondrian Neu Soap Dish</p> <p><b>AR93611E</b>      Chrome</p>

Additional Information
<ul style="list-style-type: none"> <li>• 5 year warranty</li> <li>• Dual Fixing</li> </ul>

