



# Subway XU 545 Under Counter Sink

No Tap Hole | Stone White | CeramicPlus

## Product Image



## Product Details

<b>Code:</b>	<b>675801RWCB</b>
Brand:	Villeroy & Boch
Range:	Subway
Warranty:	10 Years*
Product Width:	545 mm
Product Height:	200 mm
Product Depth:	440 mm
Litre Capacity:	35 L

## Additional Features

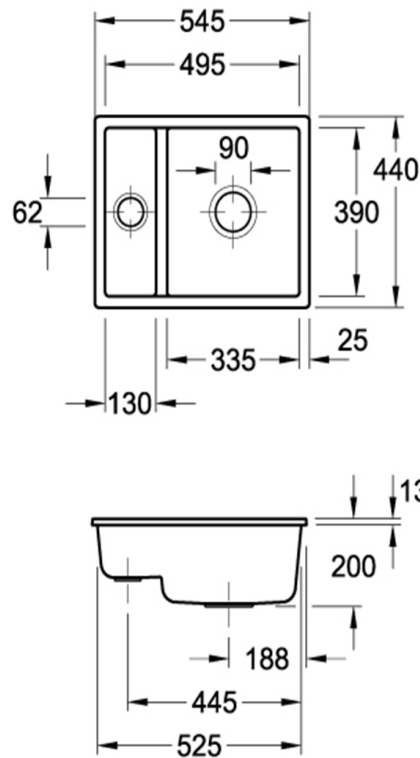
## Technical Specification

### Required Product

### Recommended Products

### Additional Notes

- With Overflow & Basket Waste Fittings



\*Please visit [argentaust.com.au/warranty](http://argentaust.com.au/warranty) to view the full warranty

Note: All dimensions are in millimetres and are subject to normal manufacturing variations. Always use the physical product measurements for cut-outs and rough-ins as the technical details shown may differ from the actual product. Use acetic cured silicone sealant. Do not use epoxy type adhesives. Clean with damp cloth. Do not use abrasive cleaners, liquids or pastes.

