



Cisterna 60C 550 Under Counter Sink

No Tap Hole | CeramicPlus

Product Image **Product Details**



Code: 670601R1CB
Brand: Villeroy & Boch
Range: Cisterna
Warranty: 10 Years*
Product Width: 550 mm
Product Height: 200 mm
Product Depth: 440 mm
Litre Capacity: 39 L

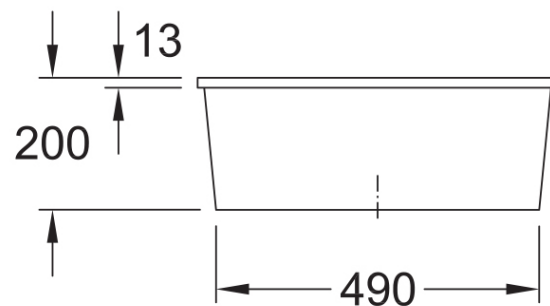
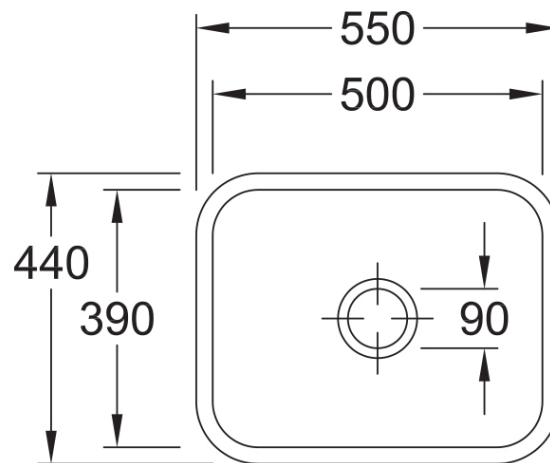
Additional Features **Technical Specification**

Required Product

Recommended Products

Additional Notes

- With Overflow & Basket Waste Fittings



*Please visit argentaust.com.au/warranty to view the full warranty

Note: All dimensions are in millimetres and are subject to normal manufacturing variations. It is recommended to use the physical product measurements for cut-outs and rough-ins as the technical details shown may differ from the actual product. Use acetic cured silicone sealant. Do not use epoxy type adhesives. Clean with damp cloth. Do not use abrasive cleaners, liquids or pastes.

