



Subway Butler 900 Double Sink

No Tap Hole | CeramicPlus

Product Image



Product Details

Code:	639000R1CB
Brand:	Villeroy & Boch
Range:	Subway Butler
Warranty:	10 Years*
Product Width:	900 mm
Product Height:	550 mm
Product Depth:	220 mm
Litre Capacity:	35 L

Additional Features

Required Product

Recommended Products

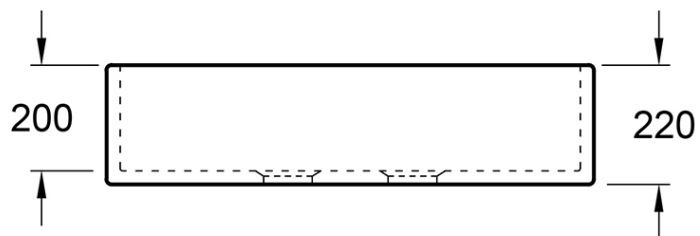
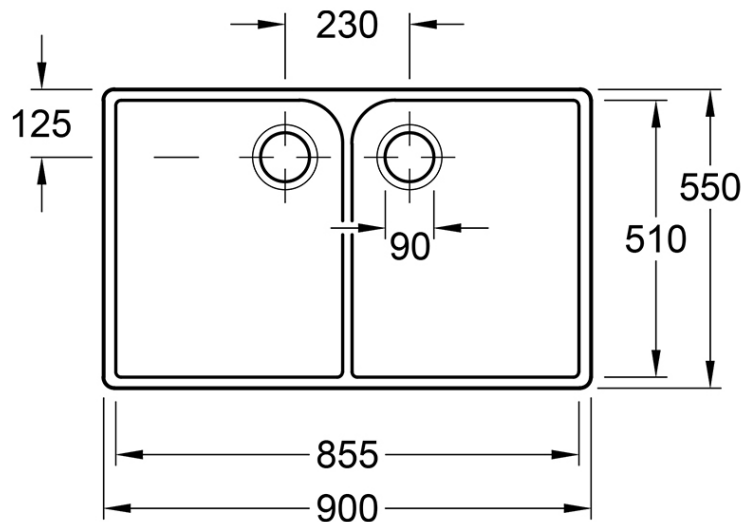
Additional Notes

- With Overflow & Basket Waste Fittings

Installation Instructions

- * Modular installation with front apron visible
- * Rear of sink unglazed

Technical Specification



*Please visit argentaust.com.au/warranty to view the full warranty

Note: All dimensions are in millimetres and are subject to normal manufacturing variations. Always use the physical product measurements for cut-outs and rough-ins as the technical details shown may differ from the actual product. Use acetic cured silicone sealant. Do not use epoxy type adhesives. Clean with damp cloth. Do not use abrasive cleaners, liquids or pastes.

