



# Farmhouse 900 Double Sink

No Tap Hole | CeramicPlus

**Product Image** **Product Details**



**SKU:** 639000R1CB  
**Brand:** Villeroy & Boch  
**Range:** Farmhouse  
**Warranty:** 10 Years  
**Product Width:** 900 mm  
**Product Height:** 550 mm  
**Product Depth:** 220 mm  
**Litre Capacity:** 35 L

**Additional Features** **Technical Specification**

**Required Product**

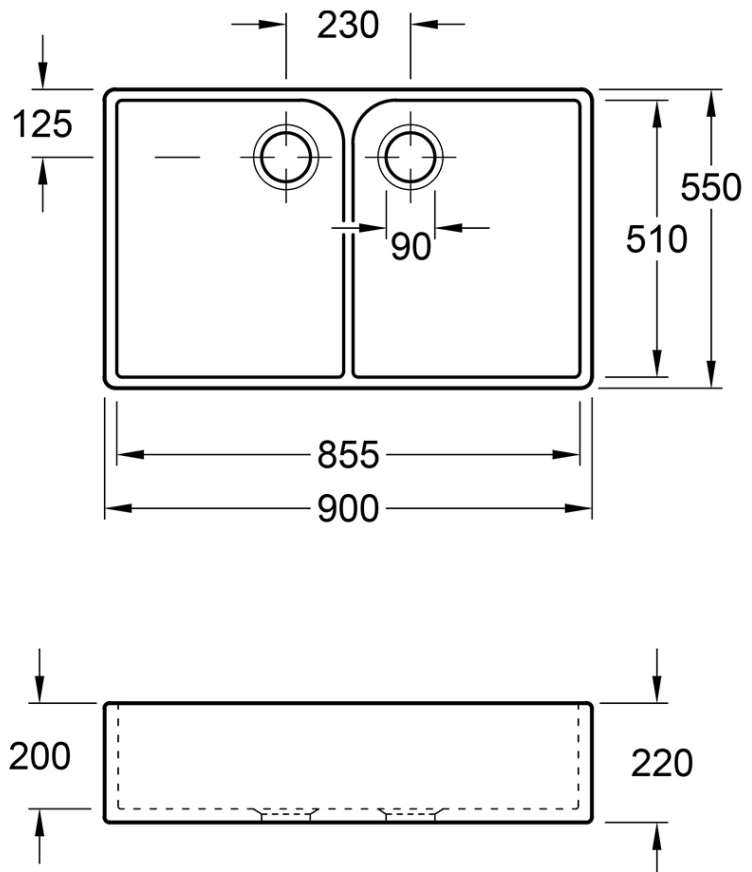
**Recommended Products**

**Additional Notes**

- \* 90mm Designer Basket Waste with Overflow
- \* Ceramic Plus
- \* Waste disposal compatible

**Installation Instructions**

- \* Modular installation with front apron visible
- \* Rear of sink unglazed



*Note: All dimensions are in millimetres and are subject to normal manufacturing variations. Always use the physical product measurements for cut-outs and rough-ins as the technical details shown may differ from the actual product. Use acetic cured silicone sealant. Do not use epoxy type adhesives. Clean with damp cloth. Do not use abrasive cleaners, liquids or pastes.*

