



Antao 510 Vessel Basin

CERAMICPLUS | NO OVERFLOW | PURE BLACK

Product Image



Product Details

Code:	4A7351R7
Brand:	Villeroy & Boch
Range:	Antao
Warranty:	10 Years*
Product Width:	510 mm
Product Depth:	400 mm
WELS:	N/A

Additional Features

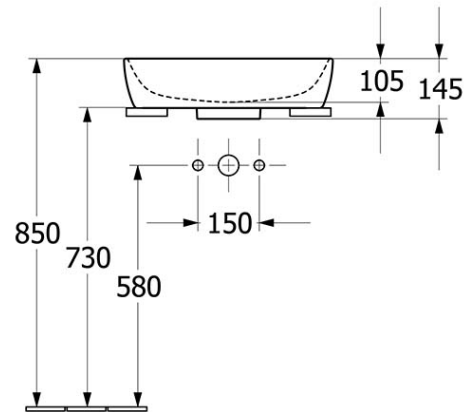
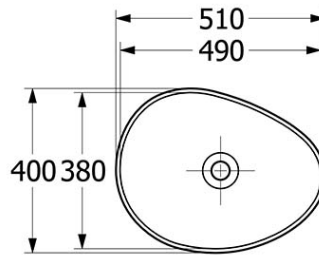
Technical Specification

Required Product
32mm Waste

Recommended Products
K316-D Pop Up Waste series

Additional Notes

- Supplied with non-closeable waste
- Check for suitability to your requirements.



*Please visit argentaust.com.au/warranty to view the full warranty

Note: All dimensions are in millimetres and are subject to normal manufacturing variations. Always use the physical product measurements for cut-outs and rough-ins as the technical details shown may differ from the actual product. Use acetic cured silicone sealant. Do not use epoxy type adhesives. Clean with damp cloth. Do not use abrasive cleaners, liquids or pastes.

