



Modus E Wall Mounted Basin Tap

Battery

Product Image

Product Details



Code: 019550699
Brand: Schell
Range: Modus
Warranty: 2 Years*
WELS: 6 Star 3.0 LPM, Reg #: T39497

Additional Features

Technical Specification

Required Product

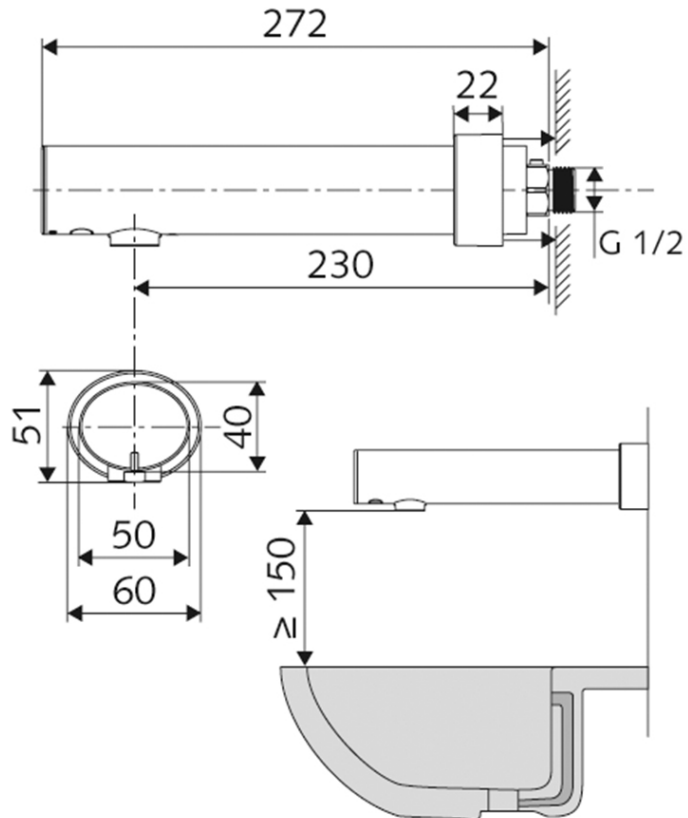
Recommended Products

Additional Notes

- Includes 4xAA Alkaline Batteries
- Touchless Operation
- Adjustable Detection Range (2 to 13cm)
- 24hr Stagnation Flush Option
- Cleaning Mode

Installation Instructions

* IMPORTANT: Rough In Requires 1/2" Female Wall Elbow



*Please visit argentaust.com.au/warranty to view the full warranty

Note: All dimensions are in millimetres and are subject to normal manufacturing variations. Always use the physical product measurements for cut-outs and rough-ins as the technical details shown may differ from the actual product. Use acetic cured silicone sealant. Do not use epoxy type adhesives. Clean with damp cloth. Do not use abrasive cleaners, liquids or pastes.

